



**STONE INDUSTRIES, LLC PROUDLY PRESENTS  
OUR 20' STATE-OF-THE-ART SUPER-WIDEBODY  
PRESIDENTIAL SERIES COMFORT STATION &  
PORTABLE BATHROOM TRAILER**



The Presidential Series is the finest bathroom trailer available. Interior features include real flushing porcelain toilets & urinals, oak cabinets, and private "pocket" stalls.

**Our Presidential Series Bathroom Trailer is a must for your next VIP event! There is no finer restroom on the market. It is a perfect addition to any:**

- **Wedding**
- **Golf Tournament**
- **Garden Party**
- **Special Event**
- **Corporate Function**

**Get the great reviews your event deserves. Rent the Stone 20' Presidential Series Bathroom Trailer & Comfort Station. Don't wait, call us today for pricing & availability.**

**4305 ROUTE 50 • SARATOGA SPRINGS  
NEW YORK, 12866  
TELEPHONE (800) 446-6331  
FACSIMILE (518) 584-8850  
EMAIL [toilets@stoneindustries.com](mailto:toilets@stoneindustries.com)**

#### **Exterior Features**

- Widebody, insulated aluminum exteriors
- Steel core entry/exit doors
- Service closet with hot water heater and controls
- Deep landings with folding aluminum handrails
- Courtesy lighting for guest safety
- Extended skirt to hide wheels & frame
- Fully sealed sanitary design

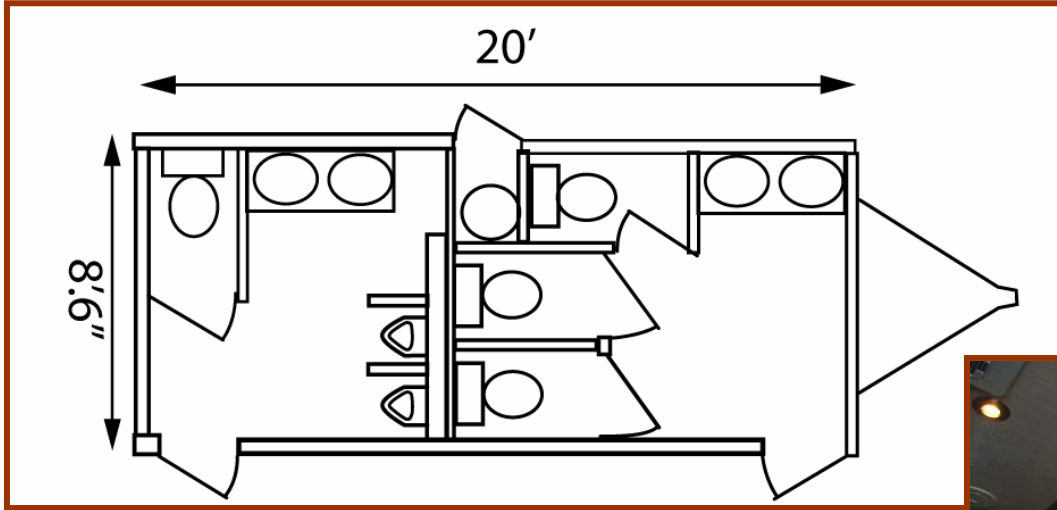
#### **Interior Features**

- Insulated floors, walls and roofs
- Heavy duty hardwood-look floors
- Fully enclosed stalls with wood doors and trim
- Full-flush, residential style porcelain toilets
- Porcelain urinals with privacy screens
- Full two zone climate control with air conditioning & heat
- Stereo sound system with CD changer & AM/FM

#### **Presidential Features**

- Large double-pane sky lights
- Indirect lighting
- Stained wood valances
- Oak base cabinet
- Ceiling mounted speakers
- Brass paper holders
- Brass hardware on shelf and wood doors
- Polished brass faucets
- Simulated marble interior wall finish
- Faux marble countertops with integral garbage

# STONE INDUSTRIES 20' PRESIDENTIAL SERIES BATHROOM TRAILER SPECIFICATIONS & REQUIREMENTS



## SPECIFICATIONS

- Three Toilet Stalls & Two Sinks on Women's Side
- One Toilet Stall, Two Urinals, & Two Sinks on Men's Side
- 800-gallon internal holding tank
- 6 gallon hot water tank
- Cold weather capable to zero degrees Fahrenheit
- Interior space 20' x 8'6"
- Exterior footprint 24' x 11' (approximate, includes tongue and extended stairs)
- Approximately 600 use capacity between services



Exterior features smooth aluminum skin with exterior lighting, skylights, sturdy handrails and step systems. Trailer skirt provides smooth finish.

## REQUIREMENTS\*

- (4) 20 Amp 120 Volt/60 Hz electrical inputs
- (1) Water hookup (Garden hose hookup)

\* Optional Remote Service Unit with pressurized water tanks and generator powered AC available for completely autonomous service.



4305 ROUTE 50 • SARATOGA SPRINGS  
NEW YORK, 12866  
TELEPHONE (800) 446-6331  
FACSIMILE (518) 584-8850  
EMAIL [toilets@stoneindustries.com](mailto:toilets@stoneindustries.com)